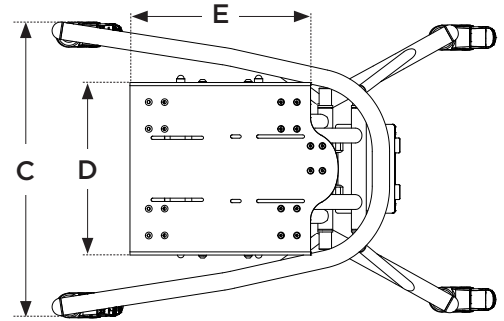
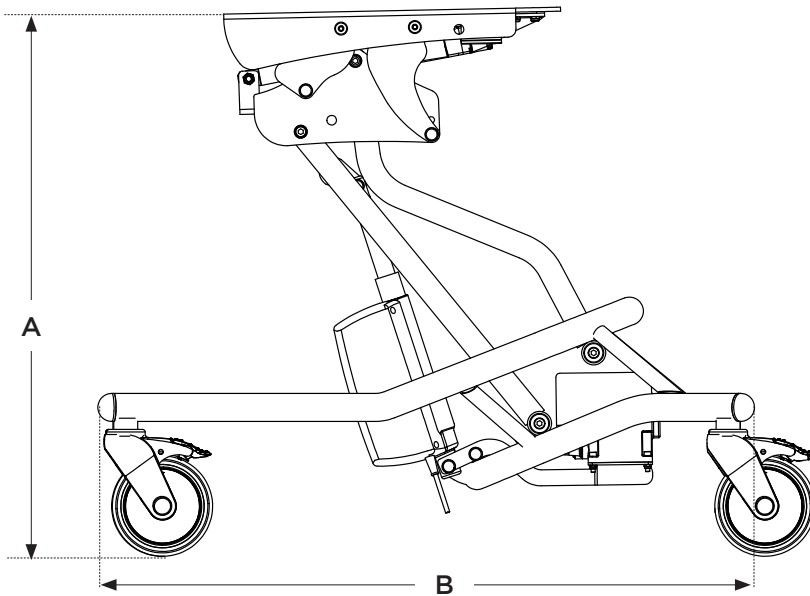


EN

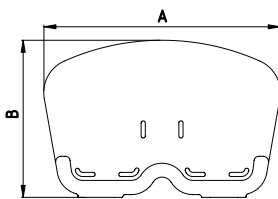
Technical data

Flipper G2



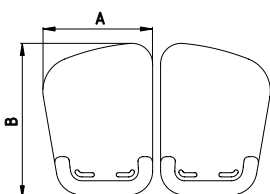
	Height A	Length B	Width C	Seatplate D x E	Load weight	Weight Manual	Weight Elektric	Tilt
Size 2	28-64 cm	65 cm	59 cm	26 x 32 cm	Max 50 kg	18 kg	21 kg	0° to 30° alt. -5° to 25°
Size 3	28-64 cm	77 cm	59 cm	26 x 32 cm	Max 75 kg	19 kg	22 kg	0° to 30° alt. -5° to 25°
Size 4	35-71 cm	82 cm	59 cm	34 x 35 cm	Max. 130 kg	--	26 kg	0° to 30° alt. -5° to 25°

FOOTREST



A x B

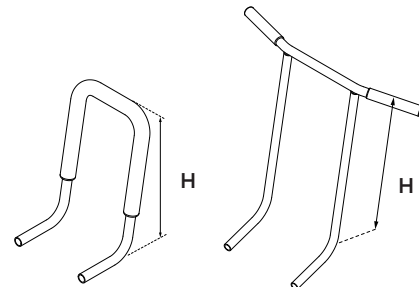
- Whole size 2 345 x 225 mm
- Whole size 3 380 x 260 mm
- Whole size 4 380 x 310 mm
- Whole size 5 430 x 310 mm
- Whole size 6 480 x 310 mm



A x B

- Divided size 2 160 x 220 mm
- Divided size 3 180 x 255 mm
- Divided size 4 175 x 305 mm

Size **2-6**
Footrest stay profile length (cm) **35**



PUSHBAR

DRIVE HANDLE

	Height
Pushbar size 1	13 cm
Pushbar size 2	35 cm
Drive handle	50 cm

Depth can be adjusted 0-7 cm.
Height is from the top of the seat plate to the handle.